

TECHNICAL DATA SHEET energiSava® 200 | High Efficiency Whole House Heat Recovery System

A



Lifetime Range*

KEY FEATURES

- ✓ Compact and lightweight with single person installation, weighs 14Kg with the depth measurement protruding from a wall no more than 360mm
- ✓ Easy commissioning via a push button commissioning pad or via the myenvirovent app if specified
- ✓ High efficiency counter flow cell capable of up to 90% thermal efficiency and Specific Fan Power (SFP) down to 0.79 W/l/s.
- ✓ 2 year warranty
- ✓ Integral Intellitrac® humidity tracking controls to control RH levels quietly and efficiently
- ✓ Wireless remote control to adjust airflow speeds, display mode of operation and filter change/fault indicator
- ✓ Automatic and integral mechanical bypass with no reduction in airflow
- ✓ Right or left-hand configurations

PRODUCT

The energiSava® 200 shall be a compact and lightweight whole house heat recovery ventilation system.

APPLICATION SUITABILITY

The system shall be suitable for use in mid-sized houses with kitchen plus up to five wet rooms and designed primarily for new build and major renovations. The unit shall be capable of being either floor, wall or ceiling mounting. It shall be suitable for installation in an accessible loft or internal cupboard space. It shall be a single person installation with easy commissioning features. The unit shall incorporate Ø125 extract and supply spigots.

MOTOR

The unit shall incorporate an Ultra Low Watt EC backward curved motor to provide the lowest possible SFP and unit running costs with sealed for life ball bearings and designed to operate continuously at a pre-set 'background' rate.

PRODUCT CHARACTERISTICS DATABASE (PCDB)

Exhaust Terminal Configuration	Specific Fan Power (W/l/s)	Heat Recovery Efficiency (%)
Kitchen + 1 wet room	0.79	89
Kitchen + 2 wet rooms	0.91	87
Kitchen + 3 wet rooms	1.14	85
Kitchen + 4 wet rooms	1.43	84

TECHNICAL SPECIFICATIONS

Maximum Flow Rate	67 l/s (241 m³/h)
Heat Exchanger	Counter Flow (Plastic)
Fans	EC (Electronically Commutated DC)
Electrical Supply	230V/1PH/50Hz
Max Power Consumption	130W
Supply Filter Extract Filter	ISO Coarse 45% (G3) ISO Coarse 45% (G3)
Spigot (mm)	125
Dimensions (mm)	571 x 646 x 335
Weight	14kg

SAP 2012

TECHNICAL DATA SHEET

energiSava® 200 | High Efficiency Whole House Heat Recovery System

FAN

EC motors shall power the centrifugal backward curved fan impellers.

MECHANICAL SUMMER BYPASS

The automatic, integral mechanical summer by-pass shall ensure that cooler air enters the property on warmer days, creating an ideal indoor climate.

HEAT EXCHANGE CELL

The heat exchange cell shall be a high efficiency counter flow cell capable of up to 89% efficiency.

FILTRATION

The unit shall be supplied with 2 x ISO Coarse 45% (G3) filters that can easily be accessed for cleaning or replacing.

SERVICING / MAINTENANCE

Supply and extract filters shall be located within the unit and exchanged annually. The unit shall incorporate a heat exchange cell for life and shall not require any maintenance within five years.

WARRANTY

The unit shall be covered by a two year warranty subject to the specified maintenance and servicing.

CONTROLS

The unit shall be fitted with automatic Intellitrac® humidity controls, with a switch live option. It shall also come supplied with a remote control to adjust the unit's airflow between trickle and boost rates, including a summer by-pass, filter change and fault indicator.

MANUFACTURER

Unit shall be the energiSava® 200 as manufactured by EnviroVent Ltd.

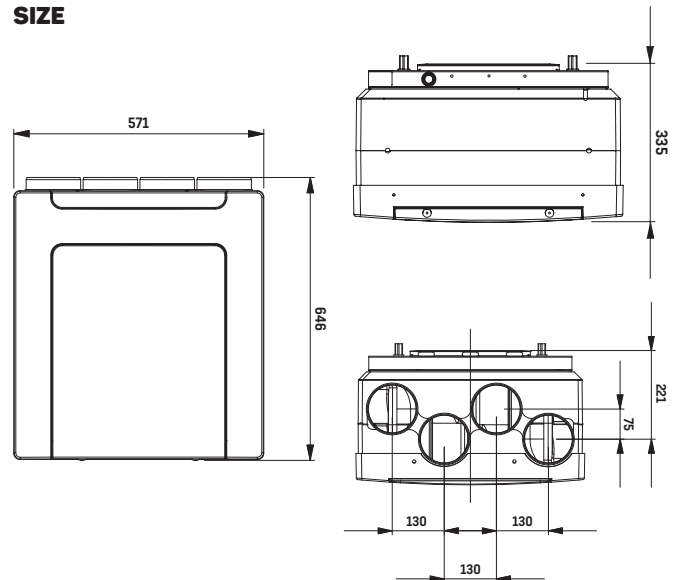
ACCREDITATION

- SAP PCDB Listed
- Conforms to the requirements of the UK Building Regulations and the Technical Standards for Ventilation
- Conforms to requirements of the EC council directives relating to Electromagnetic Compatibility and Electrical Safety (LDV and EMC)
- CE Marked

INSTALLATION

Full installation guide shall be enclosed with all products; or sent separately in advance if required.

SIZE



PERFORMANCE CURVE

