

## TECHNICAL DATA SHEET

### Filterless Infinity Fan | WC, Bathroom & Kitchen Fan



#### SPECIFICATION STATEMENTS

##### Kitchen

- The contractor is to provide a centrifugal kitchen Infinity fan where detailed on the schedule of works.
- The fan is a continuous running 2-speed Filterless Infinity Fan and incorporate Intellitrac® Technology, the unique humidity tracking controls, which enables the fan to automatically increase and decrease speed in direct correlation with indoor relative humidity and occupancy levels.
- The fan incorporates a double helix expansion chamber and cyclone technology to assist the unrestricted flow of moisture laden contaminated air from room to atmosphere with quiet running and a manual override to boost for odour control.
- For safety and ease of cleaning, the fan has a 'Hall Effect' magnet to isolate the fan when the front cover is removed. The fan includes a robust forward curved quick release impeller. The fan is pre-wired with 1.3 metre length of flexible cable to speed up installation and consume no more than 30 watts on boost speed (55 l/s) and 3 watts on trickle (14 l/s).
- The fan incorporates a removable 4" spigot which converts to 6" spigot by means of a kit for installation in any situation.
- The fan is powered by an Ultra Low Watt DC motor.
- The plastics are acrylonitrile-butadiene-styrene-copolymer (ABS), treated with UV stabilizer to prevent discolouration.
- The fan may be branded with the client's logo. Any changes to the logo must be approved by the client.

#### APPLICATIONS

The Filterless Infinity fan is capable of wall, ceiling, window or duct mounting to meet the Building Regulations Part F. The one fan will ventilate any domestic kitchen, utility room, bathroom or shower room.

#### DATALOGGING & VARIABLE SPEED CONTROLS:

The Filterless Infinity fan has a datalogging function as standard which measures total run time and energy consumption. It also logs the run time in humidity, trickle and boost. The standard trickle fan speed can be varied at installation to suit the dwelling [25 steps from default].

#### SERVICING / MAINTENANCE KITCHEN OR BATHROOM FAN

The fan incorporates an ongoing, maintenance free, eight year warranty.

After the warranty has expired and / or the fan has stopped working after 8 years, the only maintenance required can be achieved by the removal and cost effective rapid replacement of an interchangeable central cartridge without removing the fan from the wall. This work does not require an electrically qualified person. This new cartridge will come with an eight year warranty with maintenance required after eight years.

The fan should be cleaned periodically to remove dirt and build up of debris. Further details can be found in the installation guide. The rear carcass should remain in position to ensure minimal disruption to occupier and no re-decoration is required.

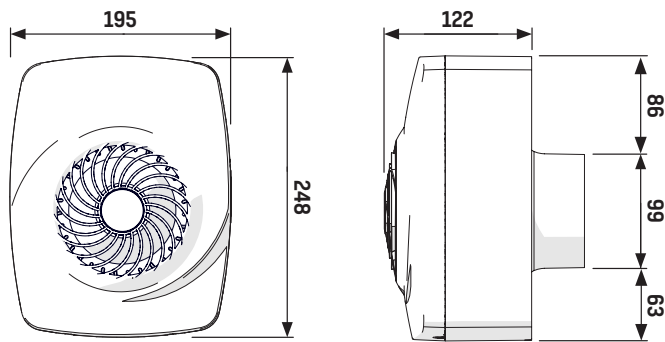
##### Bathroom

- The contractor is to provide a wall mounted centrifugal bathroom extract fan where detailed on the schedule of works.
- The fan is a continuous running 2-speed Filterless Infinity Fan and incorporates Intellitrac® Technology, the unique humidity tracking controls, which enables the fan to automatically increase and decrease speed in direct correlation with indoor relative humidity and occupancy levels.
- The fan should have a double helix expansion chamber and cyclone technology to assist the unrestricted flow of moisture laden contaminated air from room to atmosphere with quiet running and a manual override to boost for odour control.
- For safety and ease of cleaning, the fan includes a 'Hall Effect' magnet to isolate the fan when the front cover is removed. There is a robust forward curved quick release impeller. The fan is pre-wired with 300mm length of flexible cable and consumes no more than 14 watts on boost speed (37 l/s) and 3 watts on trickle (14 l/s).
- The fan can be supplied in mains (IPX4) or SELV (IPX5) with a streamline SELV (Safety Extra Low Voltage) fused spur unit.
- The fan comes with a removable 4" spigot which converts to 6" spigot by means of a kit for installation in any situation.
- The fan is powered by an Ultra Low Watt DC motor.
- The plastics should be of acrylonitrile-butadiene-styrene-copolymer (ABS), treated with UV stabilizer to prevent discolouration.
- The fan may be branded with the client's logo. Any changes to the logo must be approved by the client.

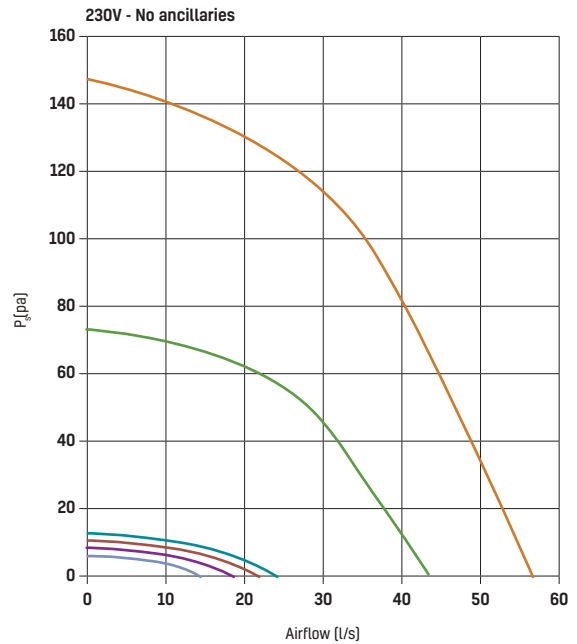
# TECHNICAL DATA SHEET

## Filterless Infinity Fan | WC, Bathroom & Kitchen Fan

### SIZE (MM)



### PERFORMANCE CURVE\*



#### KEY

- Kitchen Trickle
- Kitchen Trickle Plus
- Kitchen Boost
- Bathroom Trickle
- Bathroom Trickle Plus
- Bathroom Boost

### PERFORMANCE & SOUND LEVELS\*

#### Airflow Performance - 230V

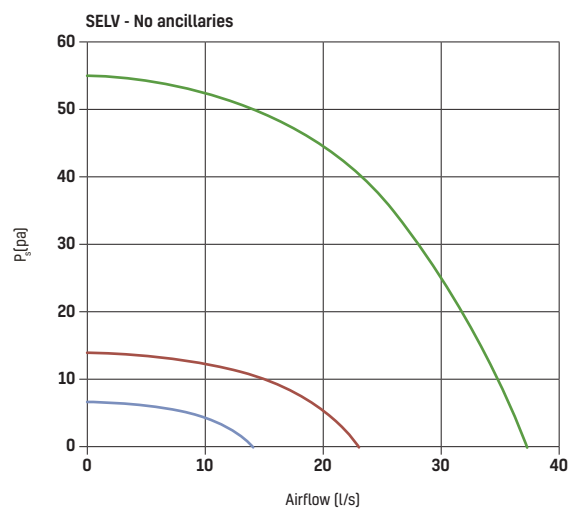
Settings	Power (W)	Duty (l/s)	Sound dB(A) @ 3m
Bathroom Trickle	3	14	12.72
Bathroom Trickle+	4	21	19.37
Bathroom Boost	14	41	34.96
Kitchen Trickle	3	19	16.52
Kitchen Trickle+	4	22	19.18
Kitchen Boost	30	55	45.26

#### Airflow Performance - SELV

Settings	Power (W)	Duty (l/s)	Sound dB(A) @ 3m
Bathroom Boost	14	37	34.96
Bathroom Trickle	3	14	12.72
Bathroom Trickle+	4	21	19.37

Performance under free air condition (0 Pa). \*These figures are based on factory settings & are subject to change when the datalogging & variable speed function are used.

The power consumption is based on internal testing and has a tolerance of +/- 10%.



#### KEY

- Bathroom Boost
- Bathroom Trickle
- Bathroom Trickle Plus