

TECHNICAL DATA SHEET

OZEO | Low Energy Whole House Mechanical Extract Ventilation Unit

E



PRODUCT CHARACTERISTICS DATABASE (PCDB)

Exhaust Terminal Configuration	Specific Fan Power (W/l/s)	Total Flow Rate (l/s)
Kitchen + 1 wet room	0.30	21
Kitchen + 2 wet rooms	0.28	29
Kitchen + 3 wet rooms	0.25	37
Kitchen + 4 wet rooms	0.24	45
Kitchen + 5 wet rooms	0.25	53
Kitchen + 6 wet rooms	0.27	61

SAP 2012

PRODUCT

The OZEO is a low energy, continuously running whole house mechanical extract ventilation unit (MEV) fitted with multiple extract points to simultaneously draw moisture laden air out of the wet rooms of a property, whilst minimising the migration of humidity to other rooms.

APPLICATION SUITABILITY

The unit shall be suitable for houses, apartments and communal residences with kitchen plus up to 6 additional wet rooms, the unit will ventilate the property in full compliance with current building regulations and is SAP Appendix Q eligible.

ACCREDITATION

- Conforms to the requirements of the UK Building Regulations and the Technical Standards for Ventilation
- Conforms to requirements of the EC council directive relating to Electromagnetic Compatibility and Electrical Safety (LDV and EMC). CE Marked
- SAP PCDB Listed

ORDER CODES

CODE(S)	DESCRIPTION
OZEO	DC version (wireless)
OZEO-HW	DC version (hard wired)

KEY FEATURES

- ✓ Low Specific Fan Power (SFP) of 0.24 W/l/s
- ✓ 4x Ø125mm inlets with double injection duct connections which pivot 90°
- ✓ Three speed motor with two adjustments (wireless version only)
- ✓ 1x Ø125mm exhaust outlet
- ✓ Supplied with a wireless control and timer function
- ✓ Low watt DC* motors
- ✓ SAP PCDB Listed
- ✓ 2 year warranty

TECHNICAL DATA SHEET

OZEO | Low Energy Whole House Mechanical Extract Ventilation Unit

MOTOR

The OZEO shall incorporate a Low Watt DC Motor with wireless boost switch.

FAN

The unit shall be a backward curved impeller.

CONSTRUCTION

The housing of the unit is constructed out of polypropylene. The lid is constructed out of ABS.

SERVICING / MAINTENANCE

The OZEO shall be fitted with a self-cleaning backward curved impeller. For the front, the cover simply unclips for quick access to clean the front impeller.

GUARANTEE

The unit shall be covered by a two year guarantee.

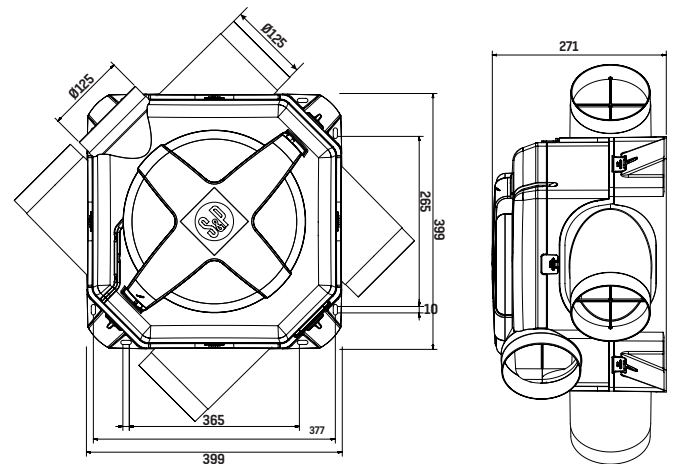
CONTROLS

The OZEO shall either be supplied with a wireless control and timer function or the OZEO E version is provided with a 3 speed hard wired switch.

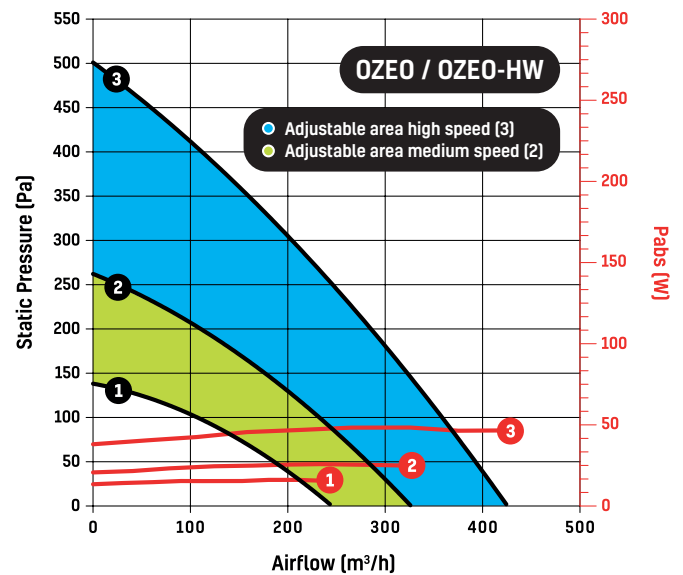
INSTALLATION

The unit shall be capable of being installed horizontally or vertically on floors, ceilings or walls. The four inlets shall pivot 90° and double injection self-sealing duct connections shall enable a fast and safe connection without the need for extra tools or clamps. The exhaust outlet shall be capable of rotating 360°. A rapid installation kit and mounting template shall be supplied as standard.

SIZE



PERFORMANCE CURVE



A full Consultant Specification can be sent on request.