

**envirovent**<sup>®</sup>

## **SILENT 125 & 150**

Ultra Quiet Kitchen & Utility Fans



# SILENT 125 & 150

Ultra Quiet Kitchen & Utility Fans

CAN BE INSTALLED IN ZONE 1



## About

Range of 125mm and 150mm domestic axial extract fans for wall or ceiling installations, designed to solve ventilation problems in utility rooms and kitchens. Fitted with motors mounted on silent elastic blocks, the fans deliver incredibly silent running and exceptional performance with stylish features.

- ✔ Sealed for life ball bearings
- ✔ Silent elastic blocks
- ✔ IP45 rated
- ✔ Backdraught shutter and airflow guide vanes as standard
- ✔ 5 or 7 year warranty
- ✔ Quiet running
- ✔ High performance
- ✔ Pullcord option
- ✔ Significant energy savings
- ✔ Complies with local building regulations



## Features

### Pullcord

The fan is fitted with a pullcord override.



### Adjustable Timer

After disconnection, the shut off time can be delayed between 1 and 30 minutes.



### Adjustable Humidity Sensor

The level of humidity for the bathroom can be chosen from between 60% and 90% RH. The extract fan will continue to work long enough to reach the selected level.



ORDER CODE	SIL 125 S	SIL 125 T	SIL 125 HT	SIL 150 S	SIL 150 T	SIL 150 HT	SIL 150 P	SIL 150 HTP
Pilot Light	•	•	•	•	•	•	•	•
Sealed For Life Ball Bearings	•	•	•	•	•	•	•	•
Silent Elastic Blocks	•	•	•	•	•	•	•	•
Backdraught Shutter	•	•	•	•	•	•	•	•
Adjustable Timer		•	•		•	•		•
Adjustable Humidity Sensor			•			•		•
Pullcord							•	•
5 Year Warranty							•	•
7 Year Warranty	•	•	•	•	•	•		

## Technical Specification

### Product

The SILENT 125 & 150 are innovative domestic axial extract fans designed to offer a low level of noise. The SILENT 125 is designed to solve ventilation problems in small rooms and the SILENT 150 is designed for kitchens. The fans are fitted with a pilot light, backdraught shutter and airflow guide vanes as standard.

### Application Suitability

The SILENT 125 & 150 can be wall or ceiling mounted to meet the Building Regulations - Part F (England), Scottish Building Standards and Part K (Northern Ireland). The fans will ventilate domestic small rooms and kitchens.

### Performance

MODEL Ø	Silent 125	Silent 150
Speed (RPM)	2350	1700
Watts (W)	16	29
Voltage (V) 50Hz	230	230
Airflow l/s (m³/h)	50 (180)	72 (260)
dB(A) @ 3m	33	32
Weight (Kg)	0.77	1.25
IP Rating	IP45	IP45
Ø Duct (mm)	125	150

### Installation

Full installation guide is enclosed with all products; or sent separately in advance - if required.

### Motor

Is a 230V 50Hz A/C motor, which is assembled on silent elastic blocks and fitted with ball bearings for enhanced working life.

### Fan

The impeller is axial flow type.

### Servicing / Maintenance

The extract fans only require periodical cleaning using a cloth soaked with a soft detergent.

### Warranty

5 year warranty applies to: SIL150P & SIL150HTP.  
7 year warranty applies to: SIL125S, SIL125T, SIL125HT, SIL150S, SIL150T & SIL150HT.

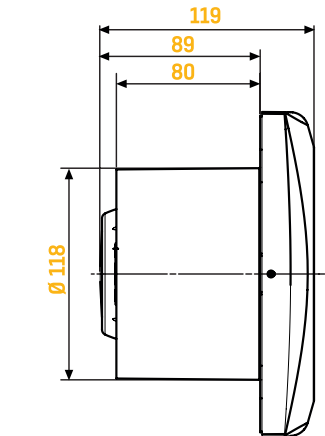
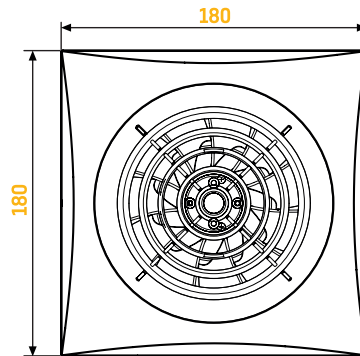
### Compliance

CE Marked.

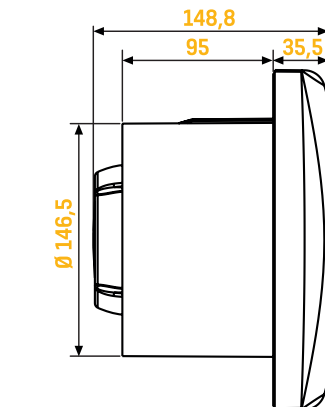
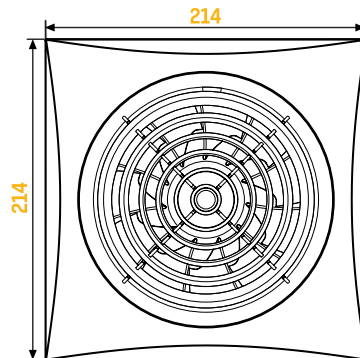


## Dimensions (mm)

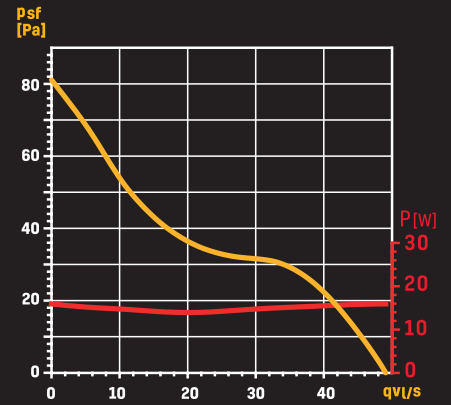
### SILENT 125



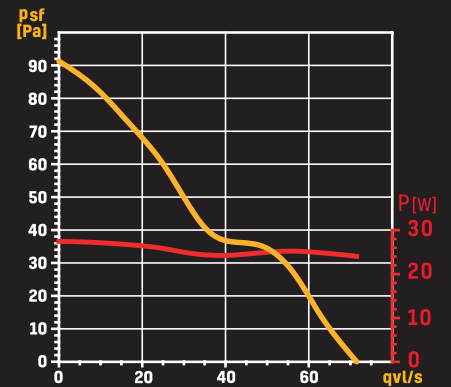
### SILENT 150



## Performance Curve SILENT 125



## SILENT 150



## Options & Ancillaries

DESCRIPTION	CODE(S)
STANDARD WALL KIT	1RDEFWAK125 1RDEFWAK150
RIGID DUCTING	1RD125X2M 1RD150X2M
FIXED LOUVER GRILL	1RDGRILL125 1RDGRILL150



# envirovent®

Leaders in the manufacture of innovation and sustainable ventilation

EnviroVent Ltd  
Harrogate West Business Park  
Unit 1 Bardner Bank  
Killinghall, Harrogate  
HG3 2SP

T / 01423 810 810  
E / enquiries@envirovent.com  
W / www.envirovent.com

Due to our policy of continuous innovation and improvement, EnviroVent reserves the right to alter products specification and appearance without notice.

E&OE | MKT ENV735 - V2 - 17/10/2024

Copyright © EnviroVent Ltd 2024



Follow us on  
[facebook](#)



Follow us on  
[twitter](#)



Watch us on  
[Youtube](#)



Follow us on  
[Instagram](#)



Find us on  
[LinkedIn](#)

